



Pre-requisites for Upgrading	1
General Enhancements	1
Windows 10 SP1 for Windowmaker	1
Glazing & Glazing Options	1
Designs	1
Crystal Reports, Update Status	2
Payment Terms, Users	2
Enhancements to Options.....	2
Bar Optimisation III	2
Entrance Doors	2
New Option.....	3
Multiline Description.....	3

Pre-requisites for Upgrading

Please refer to the [Release Notes](#), which document important behaviour changes, which are introduced in this version. These must be read in order to understand how they might affect your installation & upgrade process.

If you are upgrading from a version prior to Windowmaker 2012, please also refer to the consolidated [What's New](#) and [Release Notes](#) documents on our [website](#).

General Enhancements

Windows 10 SP1 for Windowmaker

Windowmaker 2012 R4.7 onwards is supported to run on Windows 10 SP1 operating system.

Glazing & Glazing Options

It is now possible to set-up up to 2000 Glazing and 2000 Glazing Options, instead of 999 each.

Designs

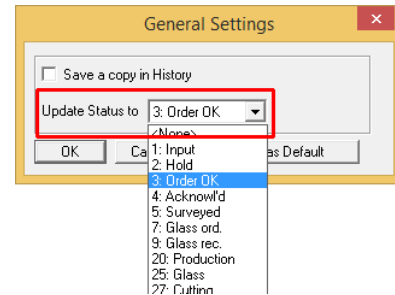
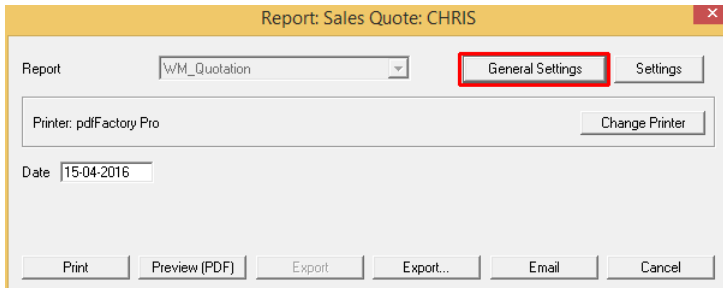
Designs are now migrated to Windowmaker database and stored in the WMProduct table instead of DAT file. This is part of the drive to abolish any flat file storage and take advantage of the relational database system. Please see [Release Notes](#) for full details.

Migration offers additional flexibility to:

- ▲ Maintain translations for each description within the same data
- ▲ Replicate designs to Sales Clients

Crystal Reports, Update Status

A status can now be associated with Crystal Reports (whether standard or custom) that can run on a Sales Quote/Order. On generating the report successfully using Print, Export or Email, status of the Quote/Order is automatically updated to this status.

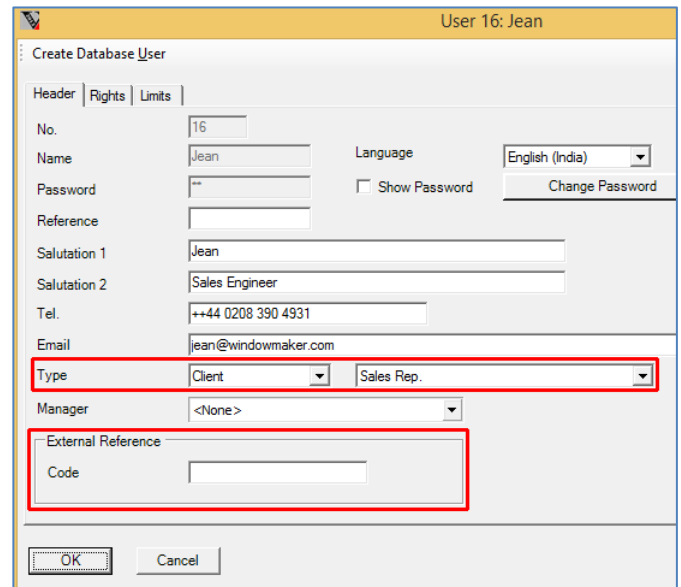
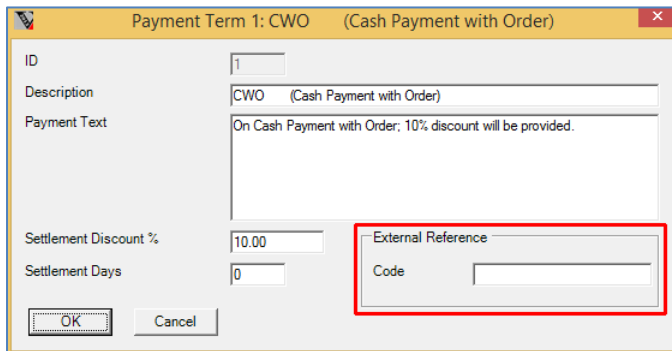


Payment Terms, Users

The program now allows an External Reference Code, of up to 20 characters, to be added to

- Payment Terms
- Users of type Normal and Client – Sales Rep.

When linking to external software (e.g. accounting, ERP) this can be used to map with the corresponding entities.



Enhancements to Options

Bar Optimisation III

Following functionalities now works for profiles costed using cost matrix:

- ▲ Profile Pairing vs. Single Bar
- ▲ Variable bar length optimisation

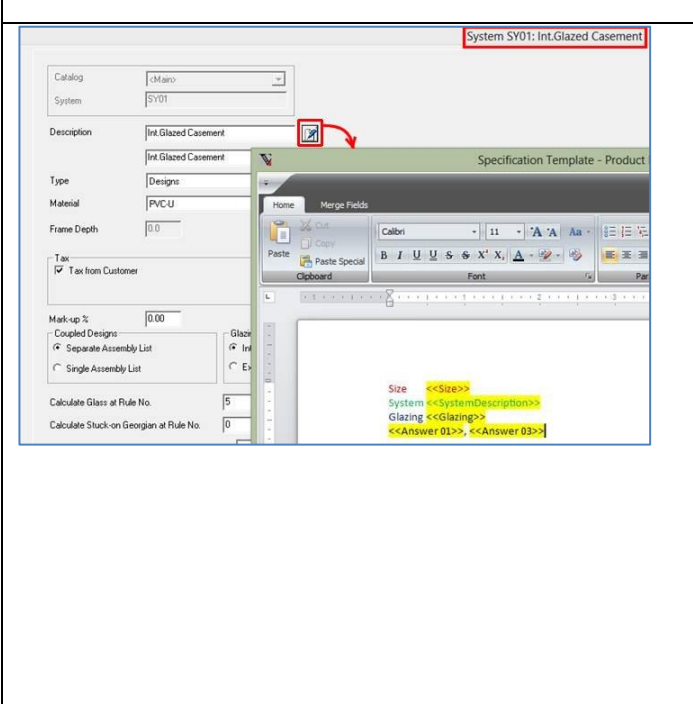
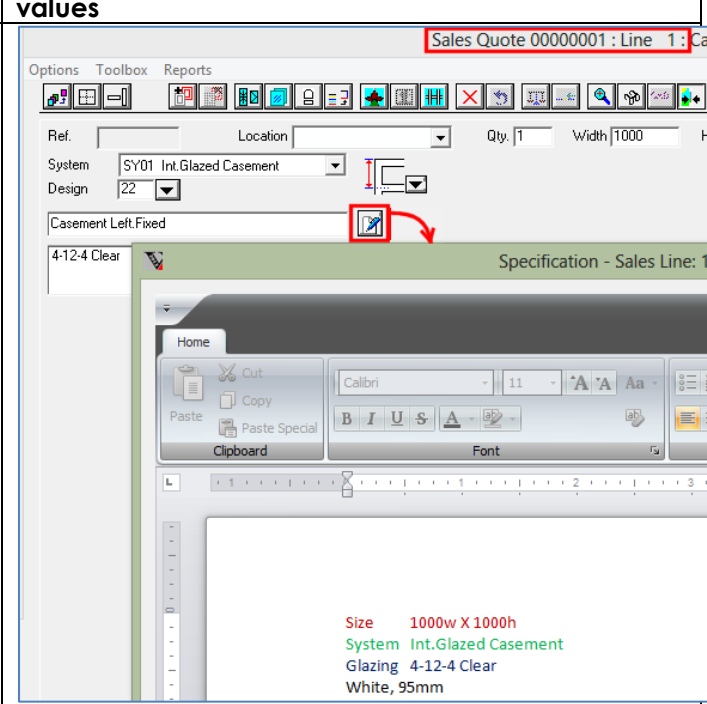
Entrance Doors

When configuring an entrance door the program now allows filtering the available Door Slabs and Glass Inserts based on catalog ID and name. This effectively enables filtering the list by material, series or any other aspect of the catalog ID and name.

New Option

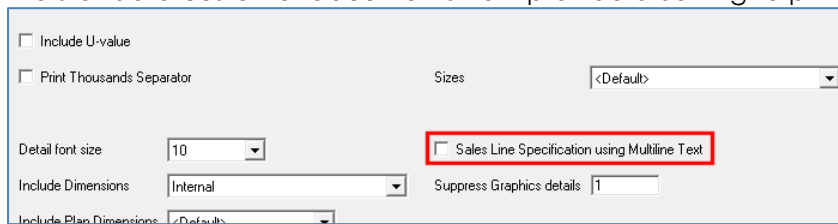
Multiline Description

The Sales Line multiline text can now be auto-generated using a pre-defined template on the System. The template can contain text as well as 'Merge Fields' (e.g. Glazing, Options & Answers, System, Size etc.). The 'Merge Fields' are automatically replaced with the corresponding values in the Sales Line as and when it is modified.

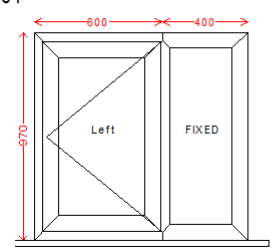
Multiline text template with Merge Fields	Multiline text generated in Sales Line with merged values
	

This also provides flexibility of printing your own customized Sales line specification on customer documents.

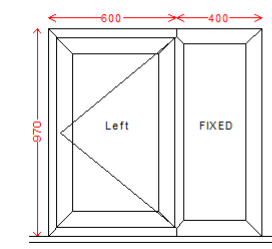
The standard customer documents now provide a Setting to print the auto-generated multiline text.



Default Output

Sales Line	Details
0001	 <p>Int.Glazed Casement Casement Left.Fixed 1000w x 1000h 4-12-4 Clear PVC Colour White T-Joins Welded Cill 95mm Cill horns 100 Outer Frame 72m m Transom/Mullion 70m m T-Sash (C'mnt) 75m m</p>

Using auto-generated Multiline text

Sales Line	Details
0001	 <p>Size 1000w X 1000h System Int.Glazed Casement Glazing 4-12-4 Clear White, 95mm Pricing - Extras Locking Handle</p>